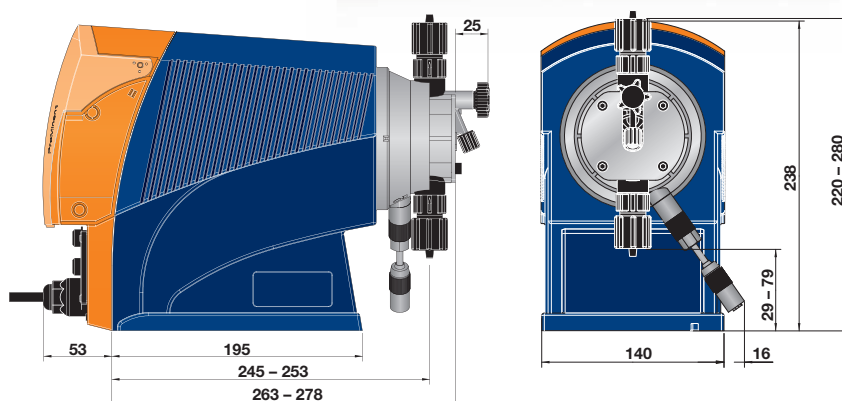


Solenoid-driven diaphragm metering pump

High-end technology for the most exacting requirements and varied applications. The world's first metering pump with regulated solenoid drive (optoDrive®).

- Capacity range
7.5–75 l/h, 25–2 bar
- Excellent efficiency as no need for accessories, such as pulsation dampers, flow gauges etc.
- Flexible adaptation to the dosing task with excellent precision
- The integral injection point monitoring unit detects hydraulic fault states that can be reported via the optional relays
- Versatile control options for use with almost every application
- Option to connect via PROFIBUS® or CANbus to the central control station
- Suitable for use as a central control unit with the “Process Timer” option, making programmable logic controls (PLC) redundant



delta®

Pump type	Pressure bar	max. delivery rate l/h	stroke volume ml/stroke	Nr. of strokes strokes/min	max. connection size o Ø x i Ø mm	Suction head mWC
DLTA 2508	25	7.5	0.62	200	8 x 4 ¹⁾	5
DLTA 1608	16	7.8	0.65	200	8 x 5 ¹⁾	5
DLTA 1612	16	11.3	0.94	200	8 x 5	6
DLTA 1020	10	19.1	1.59	200	12 x 9	5
DLTA 0730	7	29.2	2.43	200	12 x 9	5
DLTA 0450	4	49.0	4.08	200	G¾–DN10	3
DLTA 0280	2	75.0	6.25	200	G¾–DN10	2

Suction height with primed liquid end and primed suction line.

1) 6 mm inner diameter in stainless steel version.

Materials in contact with medium

Material	Liquid end	Suction/pressure port	Seals	Valve balls
NPE	Acrylic glass	PVC	EPDM	Ceramic
NPB	Acrylic glass	PVC	FPM	Ceramic
PVT	PVDF	PVDF	PTFE	Ceramic
SST	Stainless steel Mat. Nr.1.4404	Stainless steel Mat. Nr.1.4404	PTFE	Ceramic